



## Tool Hanger (THG):



## General Information:

**Function:** The tool hanger is designed to arrange tools in workshops.

## Item Description:

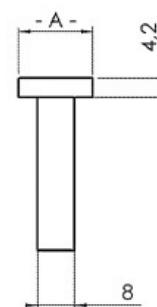
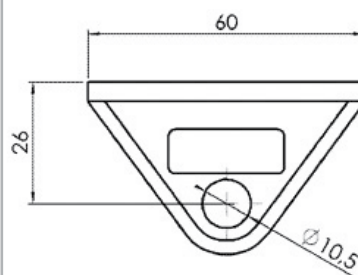
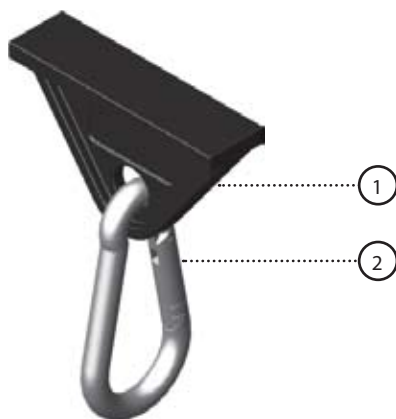
THG - S10

## Item Number:

1.25.0057.0

**Set Includes:**

- 1 - Slider x 1
- 2 - Snap hook x 1

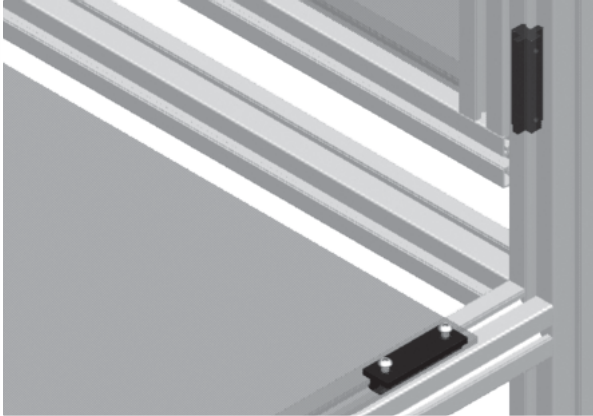


## Technical Information:

Item Description	Weight (g)	Colour	Material: Snap Hook	Material: Slider
THG - S10	37.0	1 - Black 2 - Silver	Zinc plated steel	Fibreglass reinforced nylon



**Sliding Pieces (SLP):**



**General Information:**

**Function:** Used for easy and low-wear movement of sliding doors, vertical-lift doors or other sliding arrangements.

**Item Description:**

SLP 80A - S10

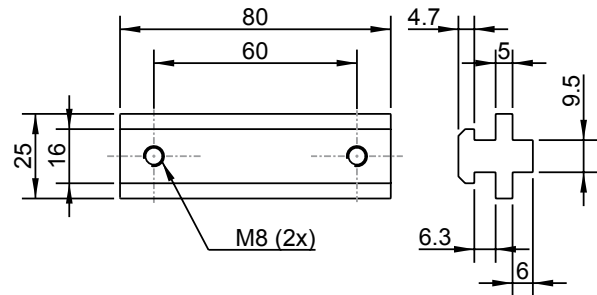
SLP 1000A - S10

**Item Number:**

1.25.0061.0



1.25.0063.0



**Item Description:**

SLP 80B - S10

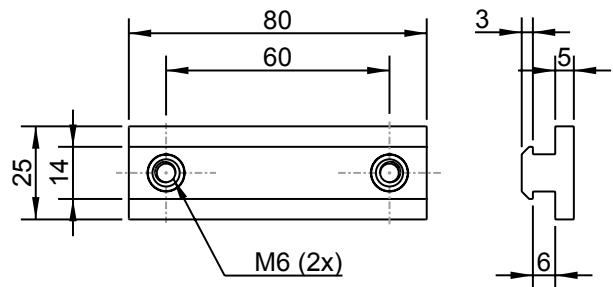
SLP 1000B - S10

**Item Number:**

1.25.0062.0



1.25.0064.0

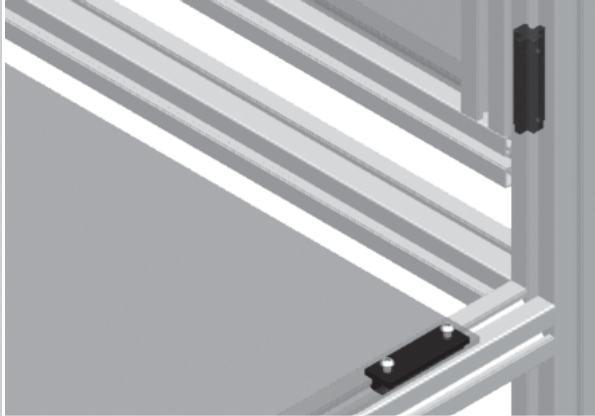


**Technical Information:**

Item Description	Brass Insert	Dim -L- (mm)	Weight (g)	Colour	Material
SLP 80A - S10	-	80.0	-	Black	UHM WPE
SLP 1000A - S10	-	1000.0	-		
SLP 80B - S10	M6	80.0	-		
SLP 1000B - S10	-	1000.0	-		



## Sliding Pieces (SLP):



## General Information:

**Function:** Used for easy and low-wear movement of sliding doors, vertical-lift doors or other sliding arrangements.

## Item Description:

SLP 80A - S8

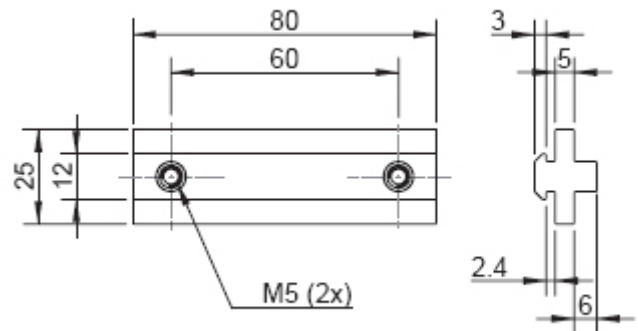
## Item Number:

1.25.0065.0



SLP 1000A - S8

1.25.0067.0



## Item Description:

SLP 80B - S8

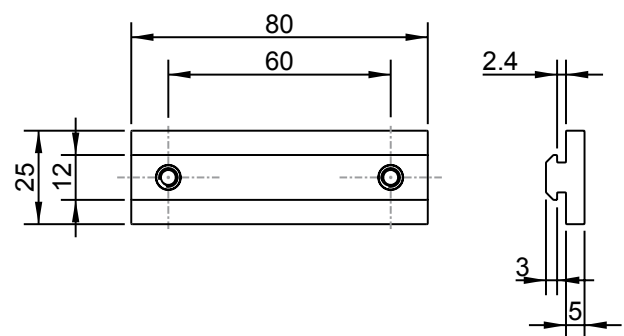
## Item Number:

1.25.0066.0



SLP 1000B - S8

1.25.0068.0

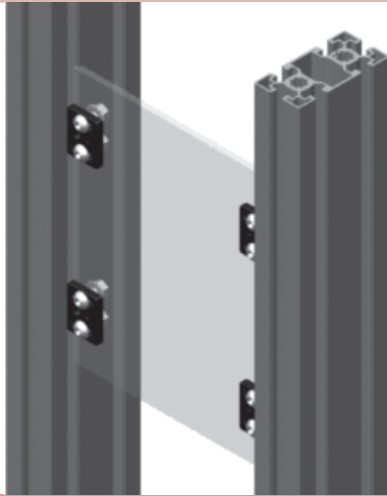


## Technical Information:

Item Description	Brass Insert	Dim -L- (mm)	Weight (g)	Colour	Material
SLP 80A - S8	M5	80.0	-	Black	UHM WPE
SLP 1000A - S8	-	1000.0	-		
SLP 80B - S8	M5	80.0	-		
SLP 1000B - S8	-	1000.0	-		



Slider (SLD):



General Information:

**Function:** Used to build economical sliding and lifting doors which function extremely safely.

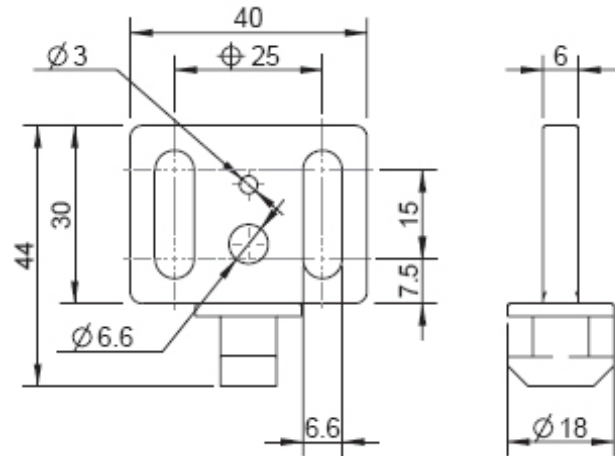
Item Description:

SLD - S10

Item Number:

1.25.0069.0

10



Technical Information:

Item Description	Weight (g)	Colour	Finish	Material
SLD - S10	-	Black	Plain	POM

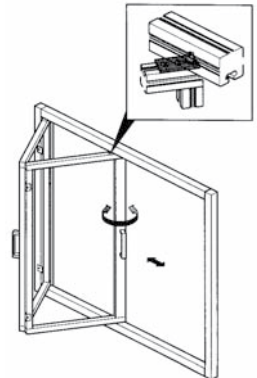
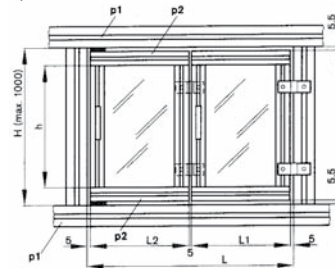


## Folding Door Element (FDE):



## General Information:

**Function:** The folding door element works with a simultaneous swinging and sliding action and is extremely durable, with a lifetime of up to 50,000 cycles.



$p1 = 45 \times 45$   
 $p2 = 30 \times 30$   
 $L1 = 1/2L + 29.5$   
 $L2 = 1/2L + 14.5$   
 $p1 = 30 \times 30$   
 $p2 = 30 \times 30$   
 $L1 = 1/2L - 25.8$   
 $L2 = 1/2L - 10.8$   
 $p2 = 30 \times 30$   
 $h = H - 71$   
 $H_{MAX} = 1000$

## Item Description:

FDE

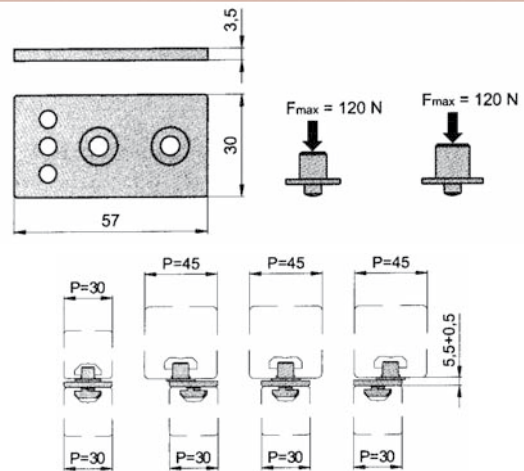
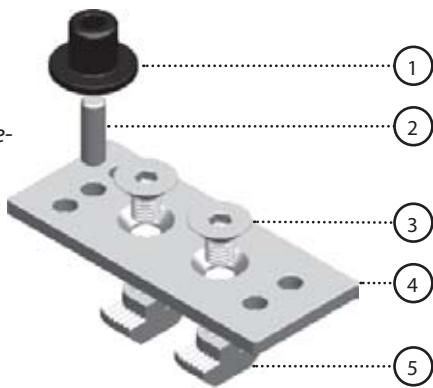
## Item Number:

1.25.0070.0



## Set Includes:

- 1 - Guide ring x 1
- 2 - Pin x 1
- 3 - CSS M5 x 10 x 2
- 4 - Folding door element x 1
- 5 - T-Nut M5 x 2



## Technical Information:

Item Description	Weight (g)	Colour	Finish	Material
FDE	-	1 - Black 2,3,4,5 - Grey	Plain	1 - PA 4 - Die-cast zinc

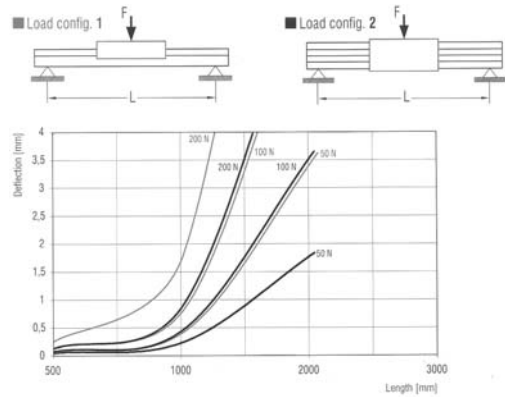
## Double Linear Rail (DLR):

## General Information:



**Function:** Double rail for roller carriage SW8.

### Deflection:

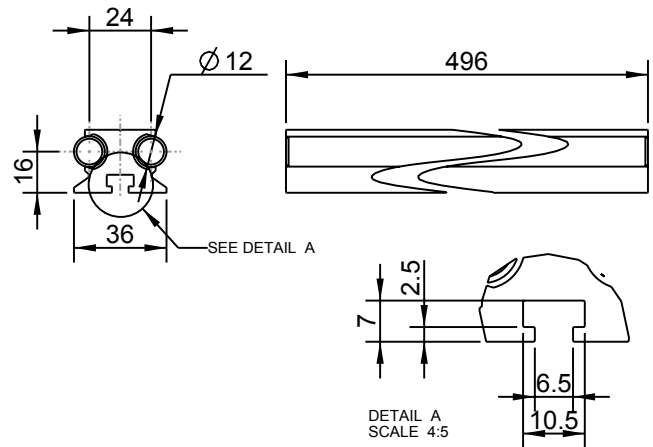
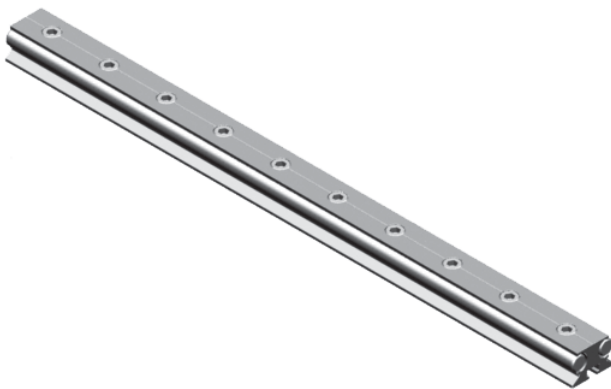


### Item Description:

### Item Number:

- DLR - D12, L496
- DLR - D12, L996
- DLR - D12, L1496
- DLR - D12, L1996
- DLR - D12, L2496
- DLR - D12, L2996

- 1.25.0160.0
- 1.25.0161.0
- 1.25.0162.0
- 1.25.0163.0
- 1.25.0164.0
- 1.25.0165.0



### Technical Information:

Item Description	Dim -L- (mm)	Shaft Hardness	Weight (kg/m)	Colour	Finish	Material
DLR-D12, L496	496.0	HRC 60 + 2	2.9	Natural	Profile: Anodized Shafts: Plain	Profile: Aluminium Shafts: Stainless Steel
DLR-D12, L996	996.0					
DLR-D12, L1496	1496.0					
DLR-D12, L1996	1996.0					
DLR-D12, L2496	2496.0					
DLR-D12, L2996	2996.0					



## Double Linear Rail (DLR):



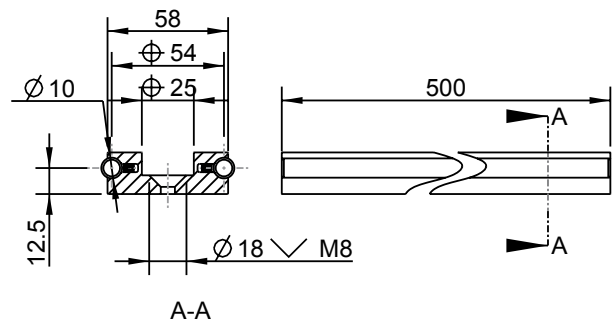
## General Information:

**Function:** Double rail for roller carriages 'RC - 106', 'RC - 208' and 'RC - 210'.

**Features:**

1. Two precision steel shafts  $\varnothing 10$ .
2. Stress resistant.
3. Tolerance of steel bar parallelism: 0.03mm/m

Item Description:	Item Number:	Item Description:	Item Number:
DLR - D10, L0.5	1.25.0510.0	DLR - D10, L3.5	1.25.0516.0
DLR - D10, L1	1.25.0511.0	DLR - D10, L4	1.25.0517.0
DLR - D10, L1.5	1.25.0512.0	DLR - D10, L4.5	1.25.0518.0
DLR - D10, L2	1.25.0513.0	DLR - D10, L5	1.25.0519.0
DLR - D10, L2.5	1.25.0514.0	DLR - D10, L5.5	1.25.0520.0
DLR - D10, L3	1.25.0515.0	DLR - D10, L6	1.25.0521.0

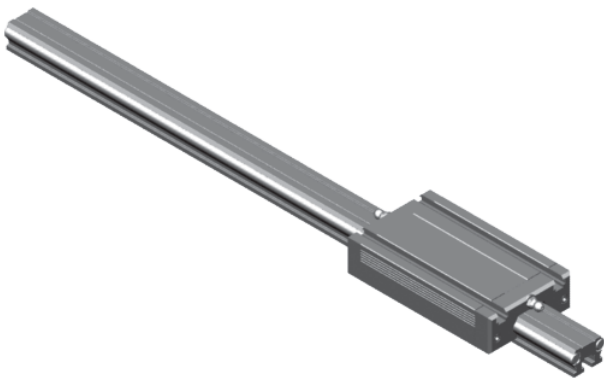


## Technical Information:

Item Description	Dim -L- (m)	Shaft Hardness Tolerance	Weight (kg/m)	Colour	Finish	Material
DLR - D10, L0.5	0.5	h6	3.1	Natural	Profile: Anodized  Shafts: Chrome plated	Profile: Aluminium  Shafts: Steel
DLR - D10, L1	1.0					
DLR - D10, L1.5	1.5					
DLR - D10, L2	2.0					
DLR - D10, L2.5	2.5					
DLR - D10, L3	3.0					
DLR - D10, L3.5	3.5					
DLR - D10, L4	4.0					
DLR - D10, L4.5	4.5					
DLR - D10, L5	5.0					
DLR - D10, L5.5	5.5					
DLR - D10, L6	6.0					



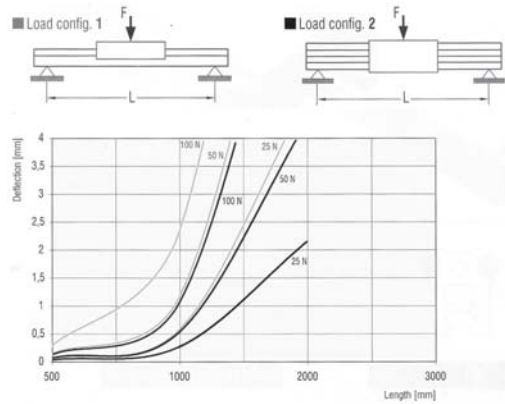
**Double Linear Rail (DLR):**



**General Information:**

**Function:** Double rail for roller carriage SW8.

**Deflection:**



**Item Description:**

DLR - D8, L496

DLR - D8, L996

DLR - D8, L1496

DLR - D8, L1996

DLR - D8, L2496

DLR - D8, L2996

**Item Number:**

1.25.0170.0

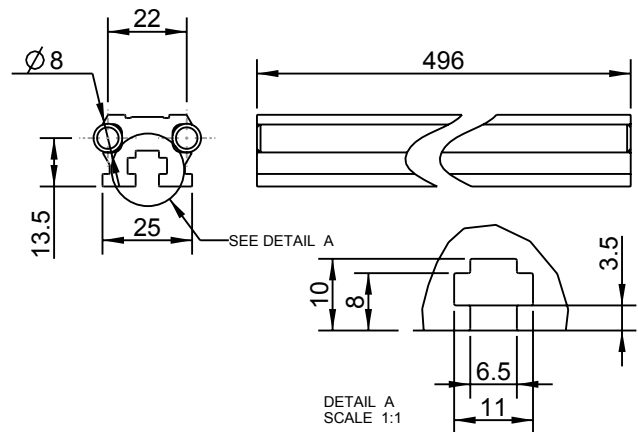
1.25.0171.0

1.25.0172.0

1.25.0173.0

1.25.0174.0

1.25.0175.0



**Technical Information:**

Item Description	Dim -L- (mm)	Shaft Hardness	Weight (kg/m)	Colour	Finish	Material
DLR - D8, L496	496.0	HRC 60 + 2	1.6	Natural	Profile: Anodized Shafts: Plain	Profile: Aluminium Shafts: Stainless Steel
DLR - D8, L996	996.0					
DLR - D8, L1496	1496.0					
DLR - D8, L1996	1996.0					
DLR - D8, L2496	2496.0					
DLR - D8, L2996	2996.0					





## Sliding Blocks (WS):



## General Information:

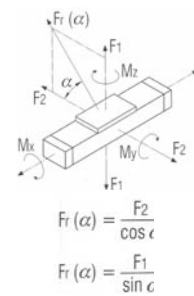
## Function:

## Features:

1. Bottom-up & top-down mounting is possible.

## Load Data:

Sliding Blocks 'SW8 - 100' & 'SW8 - 150'			
$C_0$	3303 N	$M_{x.stat.}$	46.7 N
C	1873 N	$M_{y.stat.}$	105.3 N
$F_{1.stat.}$	2821 N	$M_{z.stat.}$	123.3 N
$F_{1.dyn.}$	1599 N	$M_{x.dyn.}$	26.4 N
$F_{2.stat.}$	3303 N	$M_{y.dyn.}$	59.7 N
$F_{2.dyn.}$	1873 N	$M_{z.dyn.}$	69.9 N



## Item Description:

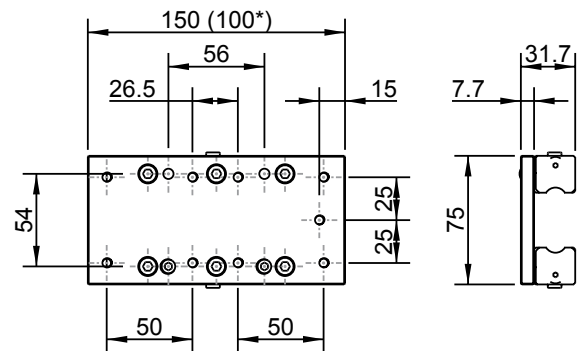
WS8 - 100

## Item Number:

1.25.0151.0

WS8 - 150

1.25.0152.0



## Technical Information:

Item Description	Dim -L- (mm)	Weight (g)	Colour	Finish	Material
WS8 - 100	100.0	700.0	Natural	Ground	Steel
WS8 - 150	150.0	1050.0			

**Sliding Blocks (WS):**



**General Information:**

**Function:**

**Features:**

- 1. Two M6 slots.
- 2. Central Lubrication

**Load Data:**

$F_r(\alpha) = \frac{F_2}{\cos \epsilon}$ $F_r(\alpha) = \frac{F_1}{\sin \epsilon}$	Sliding Blocks 'SW8 - 100' & 'SW8 - 150'			
	$C_0$	3114 N	$M_{x.stat.}$	37.3 N
	$C$	1846 N	$M_{y.stat.}$	100.5 N
	$F_{1.stat.}$	2659 N	$M_{z.stat.}$	117.6 N
	$F_{1.dyn.}$	1576 N	$M_{x.dyn.}$	22.1 N
	$F_{2.stat.}$	3114 N	$M_{y.dyn.}$	59.5 N
	$F_{2.dyn.}$	1846 N	$M_{z.dyn.}$	69.7 N

**Item Description:**

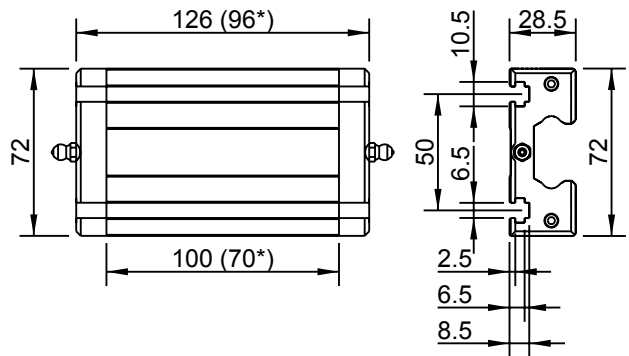
WS1 - 96

WS1 - 126

**Item Number:**

1.25.0150.0

1.25.0149.0



**Technical Information:**

Item Description	Dim -L- (mm)	Weight (g)	Colour	Finish	Material
WS1 - 96	96.0	350.0	Natural	Milled clamping surface	Steel
WS1 - 126	126.0	460.0			